

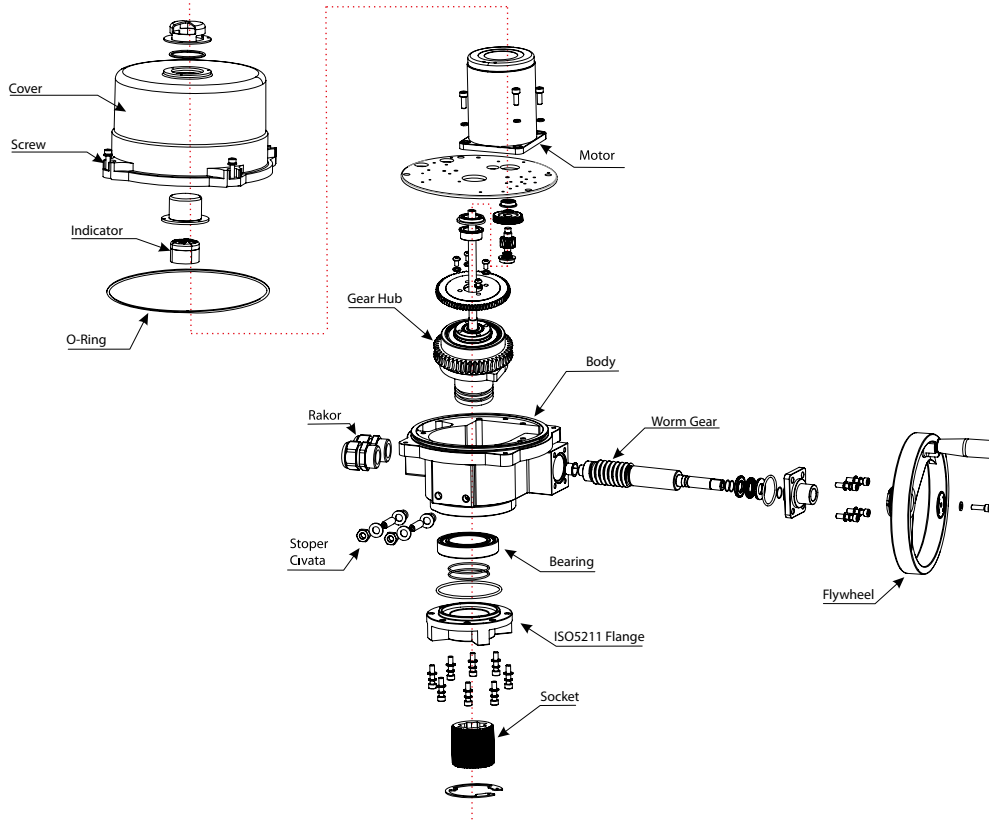


A100 Series Quarter Turn Electric Actuators

A100 series electric actuators are manufactured for on/off or proportional control of quarter turn butterfly, ball and plug valves and dampers.

The electric actuators are manufactured according to industrial standards with high quality for iron and steel, chemical, marine, mining, paper, cement plants, as well as general industrial applications and water treatment plants, HVAC sector.

The electric actuators have the complete compliance with ISO5211 flange standard which allow the direct mounting to the valves with the same standard.



Technical Specifications

Torque Output	Produced in different models covering a wide torque range from 30Nm to 20000Nm.
Enclosure	Injection molded aluminium with epoxy coating suitable for harsh environmental conditions
Ingress Protection	Standard IP67. IP68 housing option is available upon request
Sealing Elements	Double o-ring system is utilized to ensure a perfectly tight seal
Manual Override	Wrench for PRO30 and PRO50. Clutchless design handle for PRO80 and above models.
Position Locking	Self locking gearing system to prevent valves from being back driven.
Motor	High-efficiency motor with built in thermal protection.
Limit Switches	2 pieces for each end of actuator travel. Auxiliary switches are available upon request.
Torque Switches	Prevents structural motor overloads, interrupting the motor power when the output torque exceeds a specified amount.
Mechanical Stoppers	Designed to prevent the actuator from over traveling in case limit switches fail to fulfill their function thus potential damages to gear train are avoided.
Visual Position Indicator	Mechanical dome type with highly visible red/green indicator
Terminal Block	Push-in type terminal strip facilitating wire termination and more secure for areas subject to vibration
Operating Temperature	On/Off Duty * Modulating Duty*
Working Angle	90° (0° ~ 100°)
Space Heater	Anti-condensation Heater 5W(110/220VAC). Higher wattage heaters for extreme cold conditions are optionally available.
Voltage Range	0-95% RH
Duty Cycle	S2:10-30min/S4:20-50%
Duty Cycle(Modulating)	S4:30-50%,300-1200 Starts/hour



A100 Series Quarter Turn Electric Actuators Technical Information

Model Number	Item Code	Power Supply	Torque (Nm)	Torque Switch	Cycle Time (Sec.)	Motor Power (W)	Duty Cycle		Current Draw (A)		
							On/Off	Modulating	Start	Run	LRA
PRO 030	A100FEP2003	24VDC	30	N/A	11	10W	25%	50%	1,88	0,75	1,45
	A100FEP3003	220VAC (50/60Hz)					25%	50%	0,13	0,05	0,10
PRO 050	A100FEP2005	24VDC	50	N/A	10	6W	25%	50%	2,25	0,9	1,80
	A100FEP3005	220VAC (50/60Hz)			15/13	10W	25%	50%	0,53	0,21	0,50
PRO 080	A100FEP2008	24VDC	80	N/A	15	10W	25%	50%	2,25	0,9	1,80
	A100FEP3008	220VAC (50/60Hz)			22/18		25%	50%	0,50	0,21	0,50
PRO 100	A100FEP2010	24VDC	100	√	14	40W	25%	50%	8,00	3,2	6,00
	A100FEP3010	220VAC (50/60Hz)			19/16		25%	50%	1,00	0,42	0,80
	A100FEP4010	380VAC			19/16		25%	50%	0,80	0,32	0,60
PRO 200	A100FEP2020	24VDC	200	√	28	40W	25%	50%	8,00	3,2	6,00
	A100FEP3020	220VAC (50/60Hz)			39/33		25%	50%	1,00	0,42	0,80
	A100FEP4020	380VAC			39/33		25%	50%	0,80	0,32	0,60
PRO 300	A100FEP2030	24VDC	300	√	28	90W	25%	33%	8,50	3,5	6,50
	A100FEP3030	220VAC (50/60Hz)			39/33		25%	33%	1,15	0,46	0,85
	A100FEP4030	380VAC			39/33		25%	33%	0,80	0,35	0,65
PRO 400	A100FEP2040	24VDC	400	√	21	90W	25%	50%	14,00	5,6	10,50
	A100FEP3040	220VAC (50/60Hz)			29/24		25%	50%	2,20	0,9	1,80
	A100FEP4040	380VAC			29/24		25%	50%	1,50	0,62	1,20
PRO 600	A100FEP2060	24VDC	600	√	28	90W	25%	50%	14,00	5,6	10,50
	A100FEP3060	220VAC (50/60Hz)			39/33		25%	50%	2,20	0,9	1,80
	A100FEP4060	380VAC			39/33		25%	50%	1,50	0,62	1,20
PRO 800	A100FEP2080	24VDC	800	√	34	120W	25%	50%	14,00	5,6	10,50
	A100FEP3080	220VAC (50/60Hz)			47/39		25%	50%	2,20	0,9	1,80
	A100FEP4080	380VAC			47/39		25%	50%	1,50	0,62	1,20
PRO 1000	A100FEP2100	24VDC	1000	√	34	120W	25%	50%	20,00	8,4	16,00
	A100FEP3100	220VAC (50/60Hz)			47/39		25%	50%	2,50	1,1	2,00
	A100FEP4100	380VAC			47/39		25%	50%	2,00	0,8	1,50
PRO 1300	A100FEP3130	220VAC (50/60Hz)	1300	√	47/39	120W	25%	33%	3,20	1,3	2,50
	A100FEP4130	380VAC			47/39		25%	33%	2,30	0,92	1,75
PRO 1700	A100FEP3170	220VAC (50/60Hz)	1700	√	34/28	200W	25%	33%	5,50	2,2	4,00
	A100FEP4170	380VAC			34/28		25%	33%	2,50	1,1	2,00
PRO 2000	A100FEP3200	220VAC (50/60Hz)	2000	√	34/28	200W	25%	33%	6,20	2,5	4,50
	A100FEP4200	380VAC			34/28		25%	33%	3,20	1,3	2,50
PRO 2300	A100FEP3230	220VAC (50/60Hz)	2300	√	47/39	200W	25%	33%	5,50	2,2	4,50
	A100FEP4230	380VAC			47/39		25%	33%	2,50	1,1	2,00
PRO 3500	A100FEP3350	220VAC (50/60Hz)	3500	√	76/63	200W	25%	33%	5,50	2,2	4,50
	A100FEP4350	380VAC			76/63		25%	33%	2,50	1,1	2,00
PRO 5000	A100FEP3500	220VAC (50/60Hz)	5000	√	105/88	400W	25%	33%	5,50	2,2	4,50
	A100FEP4500	380VAC			105/88		25%	33%	2,50	1,1	2,00
PRO 8000	A100FEP3800	220VAC (50/60Hz)	8000	√	143/119	400W	25%	33%	5,50	2,2	4,50
	A100FEP4800	380VAC			143/119		25%	33%	2,50	1,1	2,00
PRO 13000	A100FEP41300	380VAC	13000	√	109/91	400W	25%	33%	5,00	2,00	3,60
PRO 16000	A100FEP41600	380VAC	16000	√	129/108	400W	25%	33%	5,00	2,00	3,60
PRO 20000	A100FEP42000	380VAC	20000	√	155/129	400W	25%	33%	5,00	2,00	3,60



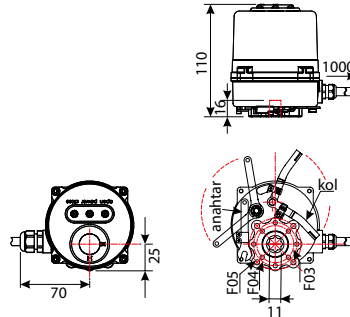
A100 Quarter Turn Electric Actuators

PRO 030 Model Electric Actuators

Model	PRO 030
Series	A100 FEP
Supply	24V AC/DC, 110V AC, 220V AC
Torque	30 Nm
F1/F2/F3	F03/F04/F05
Spindle Shaft	11x11
Weight (Kg)	1.0 Kg

Optional Accessories

IP68 Protection Class
Potentiometer (1 K Ohm)
RPC - 4-20 mA Remote Proportional Control Unit
4-20 mA Position Transmitter

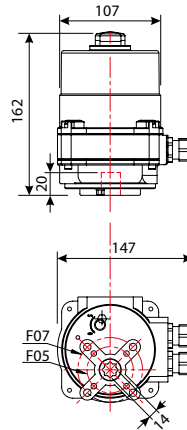


PRO 050 Model Electric Actuators

Model	PRO 050
Series	A100 FEP
Supply	24V AC/DC, 110V AC, 220V AC
Torque	50 Nm
F1/F2/F3	F05/F07
Spindle Shaft	14x14
Weight (Kg)	3.2 Kg

Optional Accessories

IP68 Protection Class
Potentiometer (1 K Ohm)
RPC - 4-20 mA Remote Proportional Control Unit
Local Control Unit
4-20 mA Position Transmitter
Fail-Safe Battery Back-Up



PRO 080 Model Electric Actuators

Model	PRO 080
Series	A100 FEP
Supply	24V AC/DC, 110V AC, 220V AC
Torque	80 Nm
F1/F2/F3	F05/F07
Spindle Shaft	17x17
Weight (Kg)	3.8 Kg

Optional Accessories

IP68 Protection Class
Potentiometer (1 K Ohm)
RPC - 4-20 mA Remote Proportional Control Unit
Local Control Unit
4-20 mA Position Transmitter
Fail-Safe Battery Back-Up

