

TKK-2N

THERMOSTATIC STEAM TRAP

GENERAL FEATURES

Ayvaz TKK-2N 's capsule follows the steam curves with constantly and it helps to drain condensate and non condensable gases. The resistance of the thermostatic trap, which is not affected by the water hammer, is also highly resistant to corrosion.

TKK-2N's filter is under cover.

For cleaning, opening the cover on the body is sufficient. Like all the Ayvaz thermostatic condensate, the TKK-2N product contains one of 3 different capsules depending on the application conditions."S" type capsules are used in standard productions. The entire trap can be supplied as a spare part. At the same time, the ball inside the seat acts as a check valve at the high back pressure in the system, preventing the condensate from mixing into the steam line.

Ayvaz TKK-2Y Thermostatic Traps can be connected to the pipeline in every position for efficient and long-term operation. Proper isolation valves must be installed to ensure the maintenance and replacement of the trap is safe.

Product Material:

Body and Cover: Forged Steel
Inner Parts: AISI 304 Stainless Steel

Connection:

Threaded, Welding End, Socket and Flanged

Nominal Diameter:

DN15 (1/2") - DN25 (1")

Pressure Value:

Max. 32 bar

Working Temperature:

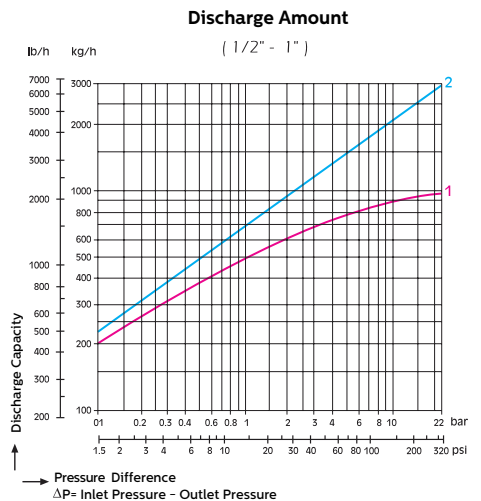
Max. Working Temperature 250 °C

Applications:

- Tracing Line
- Drying Units
- Pressing Units
- Steam Jacket Pipes
- Irons

Installation:

The thermostatic trap, which can work in every position, can be connected to the pipeline at every position.



Red Chart

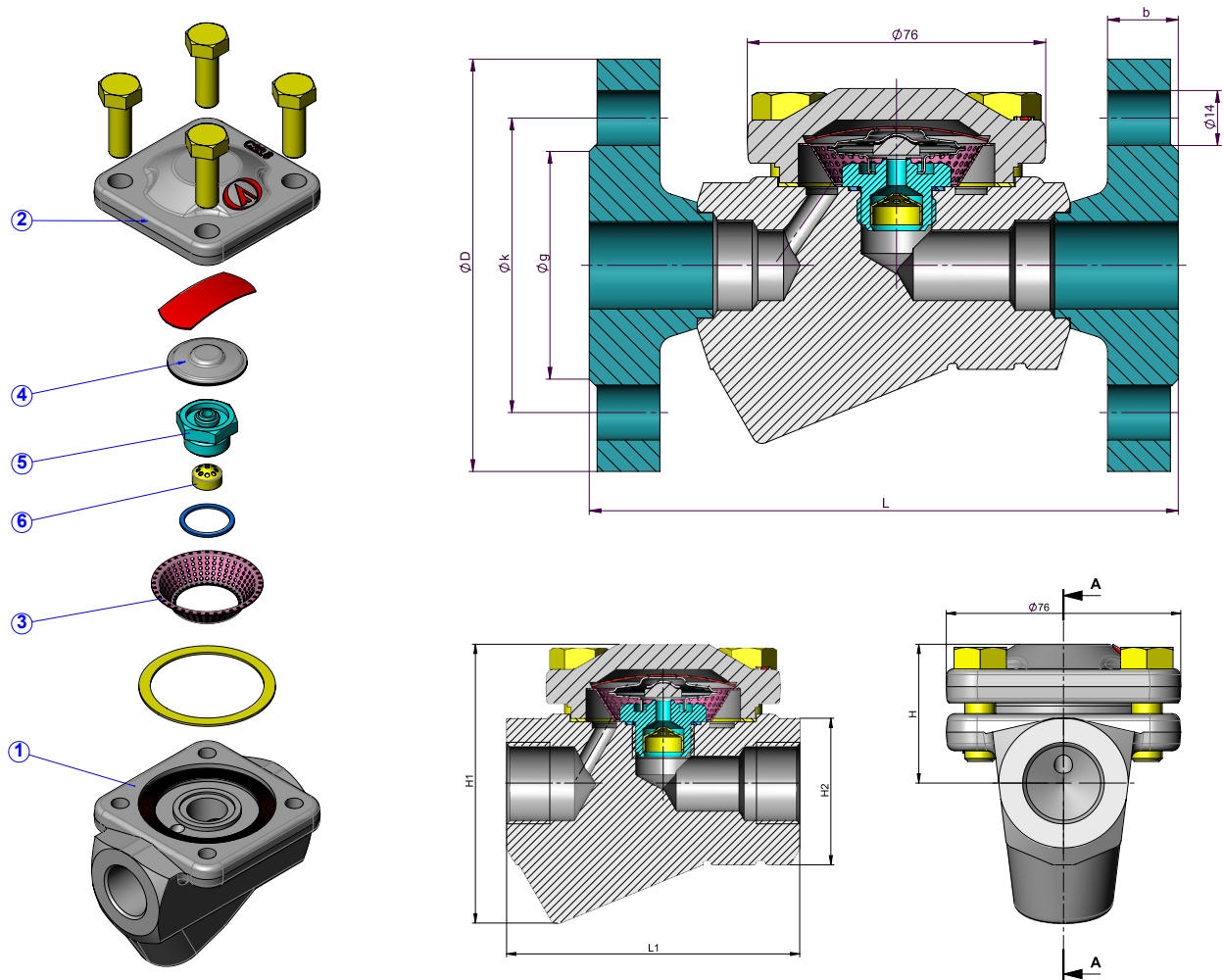
Steam saturation temperature max. 10 ° C below the condensate drain;

Blue Chart

Cold condensate drain at 20 ° C

TECHNICAL SPECIFICATIONS			
Connect. Type	Flanged	Threaded	Weld. End
Dia. (mm)	15-20-25	1/2-3/4-1"	1/2-3/4-1"
Weight(kg)	3,3-3,8-4,3	1,6-1,5-1,4	1,7-1,7-1,7

TKK-2N THERMOSTATIC STEAM TRAP



DIMENSIONS (mm)							
Dia.	L - L1	H - H1 - H2	D	b	k	g	Holes
15	150 - 95	45 - 67 - 40	95	16	65	45	4
20	150 - 95	45 - 67 - 40	105	18	75	58	4
25	160 - 95	45 - 67 - 40	115	18	85	68	4

SPARE PARTS		
No	Part	Material
1	Body	Forged Steel
2	Cover	Forged Steel
3	Filter	Stainless Steel
4	Thermostatic Capsule	Hastelloy & Stainless Steel
5	Seat	Stainless Steel
6	Cover Bolts	DIN 40 CrMoV4 7
7	Check Valve	AISI 304

TKK-2N THERMOSTATIC STEAM TRAP

TKK-2N THERMOSTATIC STEAM TRAP



HEAD OFFICE - FACTORY

Atatürk Sanayi Bölgesi Hadımköy Mahallesi Mustafa İnan Caddesi No: 44 Arnavutköy - İSTANBUL
Tel: +90 212 771 01 45 (pbx) | Fax: +90 212 771 47 27
info@ayvaz.com | www.ayvaz.com

Cona Caserta/Italy

Tel: +39 0823 187 3988
rmolaro@ayvaz.com

Ayvaz Germany Viernheim/Germany

Tel: +49 62046014399
germany@ayvaz.com

Ayvaz Ukraine Kiev/Ukraine

Tel: +380 44 390 57 57
info@ayvaz.com.ua

Tricorr Warsaw/Poland

Tel: +48 530 030 810
+48 533 603 335
tricorr@tricorr.eu

Ayvaz Azerbaijan Baku/Azerbaijan

Tel: +99 (455) 579-84-32
ahayatov@ayvaz.com

Ayvaz Egypt Cairo/Egypt

Tel: +20 122 819 78 29
andrew.eid@ayvaz.com

Ayvaz Gulf Dubai/U.A.E

Tel: +971 563550822
+971 501306871
mideast@ayvaz.com

Ayvaz China Ningbo/China

Tel: +86 152 5830 7361
msahin@ayvaz.com

Ayvaz Kazakhstan LLP Almaty/Kazakhstan

Tel: +7 (727) 327 97 57
info_kz@ayvaz.com

Ayvaz N Ispirih/Bulgaria

Tel: +359 8431 27 32
office@ayvaz-n.eu

Ayvaz Serbia Belgrade/Serbia

Tel: +381 61 658 70 52
yakbiyik@ayvaz.com

Ayvaz Vietnam HCMC/Vietnam

Tel: +84 89 8508345

Ayvaz Americas Rhode Island/USA

Tel: +1 401 737 8380
americas@ayvaz.com