

MG-33

MAGNETIC LEVEL GAUGE

GENERAL FEATURES

It is a convenient and safe device designed to combine the principles of lifting and pulling of electro-magnet. The magnets in the float enable you to follow the liquid change level with the help of red-white coloured flaps placed on the outer wall. It is suitable for use in systems requiring high pressure and temperature.

Advantages

- Continuous and easy monitoring
- Sealing construction
- Requested length and connection manufacturing
- Ability to work in different densities
- Manufacturing according to various installation types
- Long life time
- Easy maintenance
- Up to 6 meters can be manufactured in one piece.
- Above 6 meters can be manufactured in multi pieces.
- Works up to 200 °C in PN 10/16/25/40(Opt.) pressure class
- Self-cleaning feature of the system with up-and-down movement of the float

Application Areas

- All steam and hot water boilers
- Waste water systems
- Filling and unloading containers
- Oil and Gas industry

rev.0119

- All chemical and petrochemical tanks
- Tanks for petroleum and petroleum products
- Oil boilers
- Diesel fuel tanks and generator sets
- Submarine, helicopter and ship fuel tanks

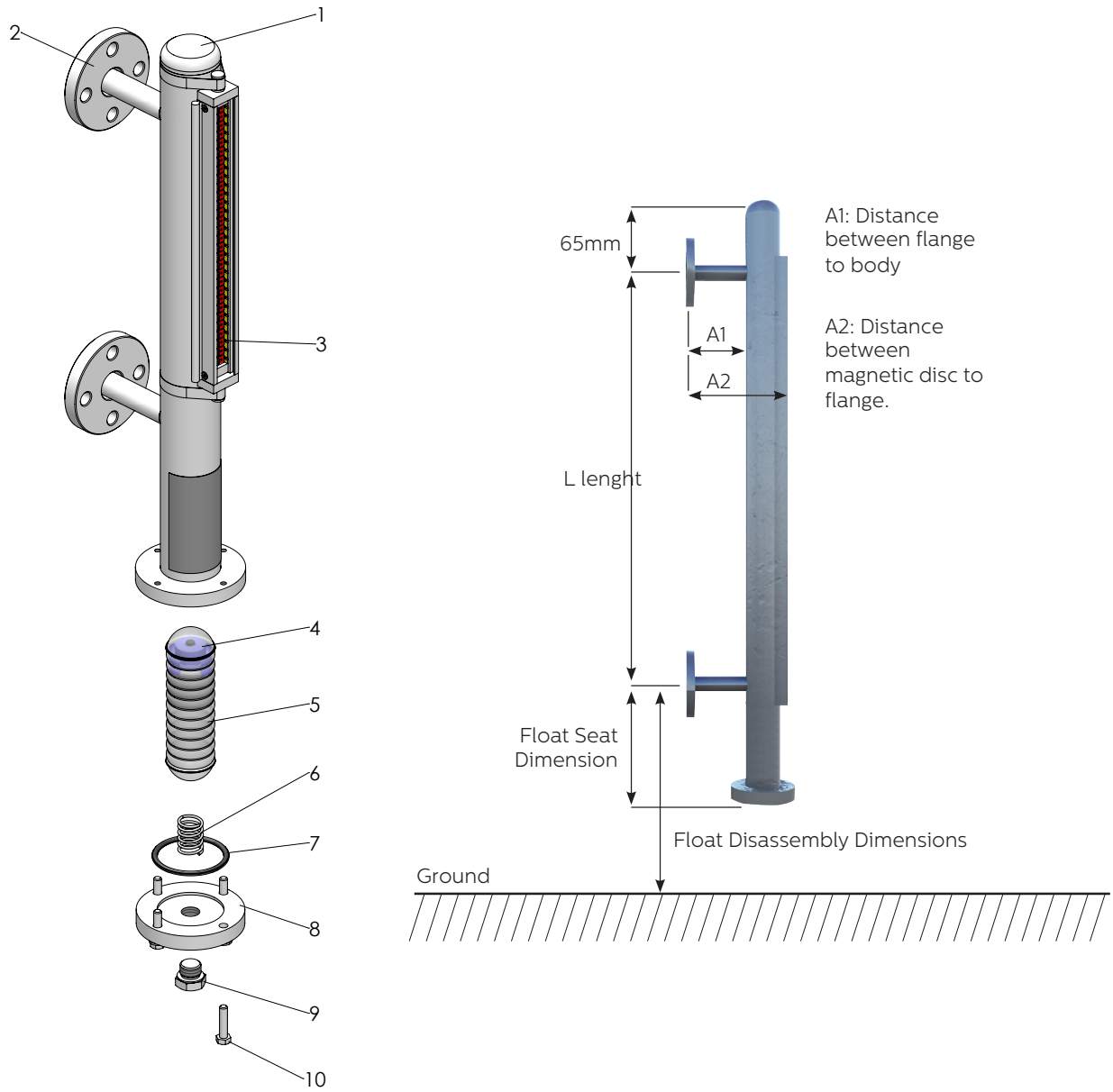
PRODUCT FEATURES

| | |
|---------------------------|------------------------------------------|
| Body | : AISI 304 /316 / 316L Stainless Steel |
| Float | : AISI 316L Stainless Steel |
| Magnetic Disc | : Aluminium |
| Flap | : Aluminium |
| Connection | : Flange, M/F, Union |
| Flange Type | : DIN, ANSI (150-300), JIS |
| Flange Material | : Carbon Steel St. 37.2, Stainless Steel |
| Max. Working Pres. | : 40 bar |
| Max Working Temp. | : 200 °C |
| Contact | : YES |
| Protection Class | : IP66 |
| Drain Plug | : 3/8" |



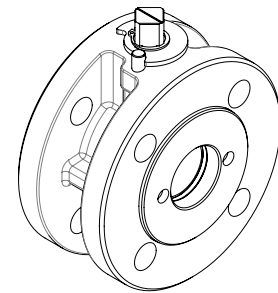
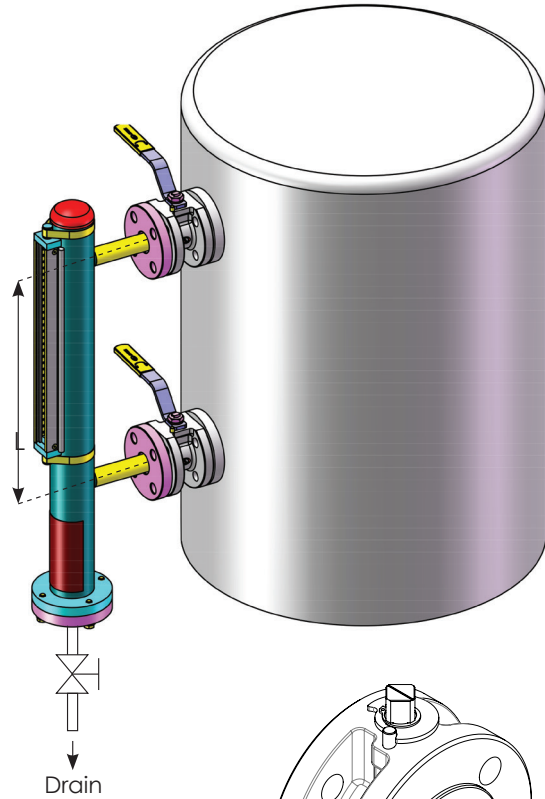
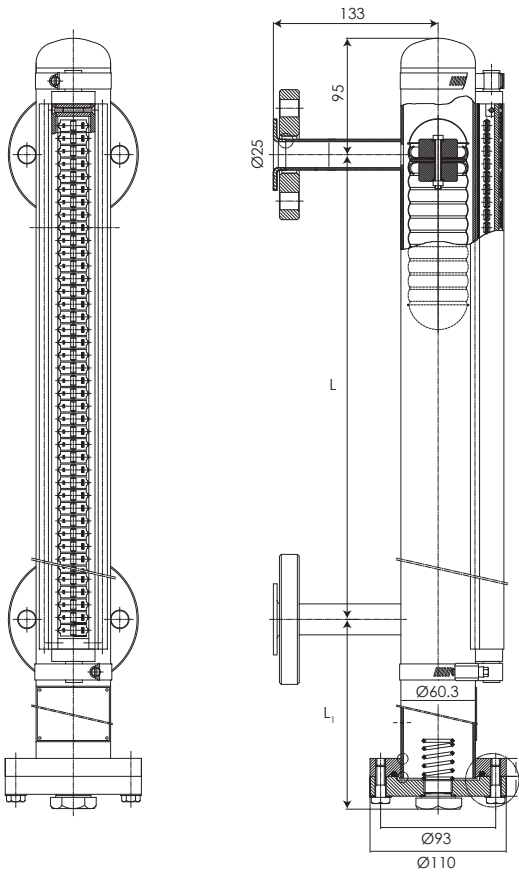
Different size, connection, pressure and applications Please consult our sales team.

MG-33 MAGNETIC LEVEL GAUGE

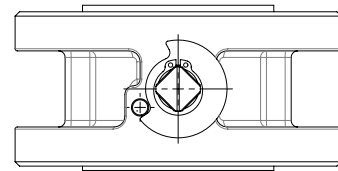


| SPARE PARTS | | |
|-------------|-------------------|-------------------------------|
| 1 | Body | Stainless Steel |
| 2 | Connection Flange | Carbon Steel, Stainless Steel |
| 3 | Flaps | Aluminium/Plastic |
| 4 | Magnetic Disc | Magnet |
| 5 | Float | Stainless Steel |
| 6 | Float Spring | Spring Steel |
| 7 | O-Ring | Silicon |
| 8 | Drain Flange | Carbon Steel, Stainless Steel |
| 9 | Drain Bolt | Stainless Steel |
| 10 | Bolt | Stainless Steel |

MG-33 MAGNETIC LEVEL GAUGE



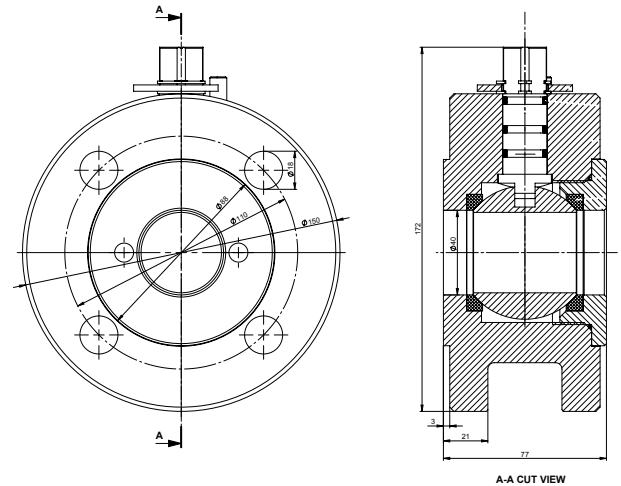
**MBK-45
Monoblock Valve
Dimensions**



You are required to inform sales team during the order

- Connection type and dimension (M/F, flange, diameter)
- Distance between connections
- (From the upper pipe center to the bottom pipe center)
- Fluid density to be used
- Fluid temperature

| SPARE PART | | |
|------------|-----------------|-------------------------------------------------|
| 1 | Connection Type | Flange, M/F, uNiON |
| 2 | Flange | Carbon Steel / Stainless Steel (DIN, ANSI, JIS) |
| 3 | Float | Stainless Steel (PN 16/25/40) |
| 4 | By-pass Tube | Stainless Steel (AISI 304 / 316) |
| 5 | Bolt | Stainless Steel |
| 6 | Drain Bolt | Stainless Steel |
| 7 | Magnetic Disc | Aluminium |
| 8 | Indicator Glass | Plexiglass |



MG-33 MAGNETIC LEVEL GAUGE TOP MOUNTED



Ayvaz MG-33 top mounted magnetic level gauges; It is used in tanks that can not be mounted on the side surfaces. The movement of the float in the tank according to the filling rate of the tank; the level moves the float inside the bottle and the tank observation is provided mechanically.

Like other systems, the top mounted magnetic level gauges can also be manufactured for the automation systems.

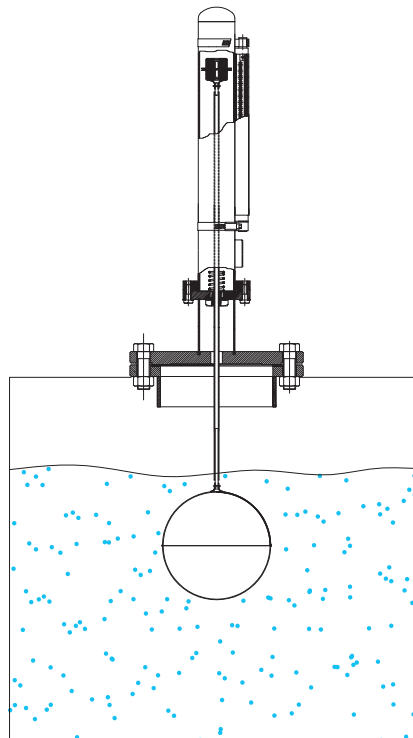
Advantages

- Continuous and easy monitoring
- Sealing construction
- Requested length and connection manufacturing
- Ability to work in different densities
- Manufacturing according to various installation types
- Long life time
- Easy maintenance
- Up to 6 meters can be manufactured in one piece.
- Works up to 160 °C in PN 10/16/25/40(Opt.) pressure class
- Self-cleaning of the system with the up and down movement of the float

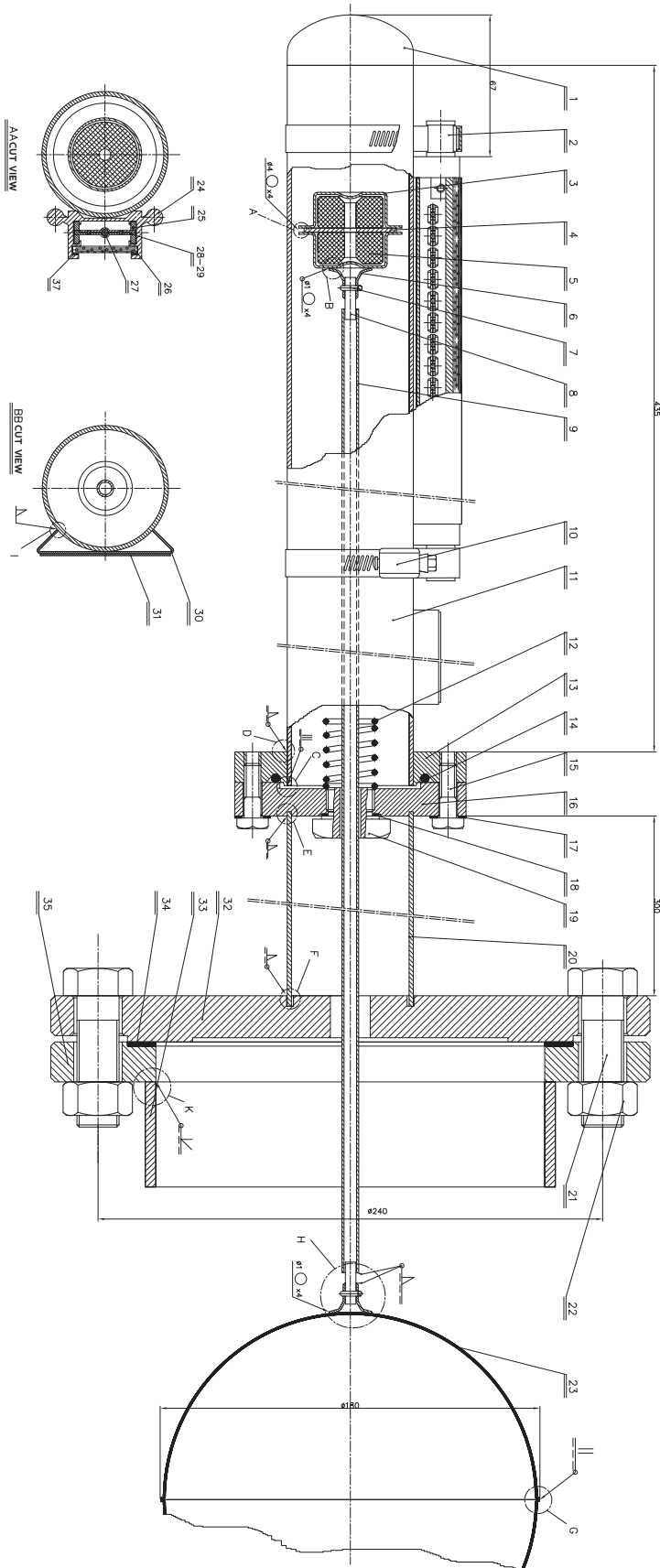
Application Areas

- All steam and hot water boilers
- Waste water systems
- Filling and unloading containers
- All chemical and petrochemical tanks
- Tanks for petroleum and petroleum products
- Oil boilers
- Diesel fuel tanks and generator sets
- Submarine, helicopter and ship fuel tanks

| | |
|-----------------------------|----------------------------------------------------|
| Body | : AISI 304/316 Stainless Steel |
| Float | : AISI 316L Stainless Steel |
| Magnetic Disc | : Plastic/Aluminium |
| Connection | : Flanged |
| Flange Types | : DIN, ANSI, JIS |
| Flange Material | : Carbon Steel St 37.2/Stainless Steel (Opsiyonel) |
| Max. Working Press. | : 16 bar |
| Max. Working Temp. | : 200 °C |
| Contact Availability | : Yes |

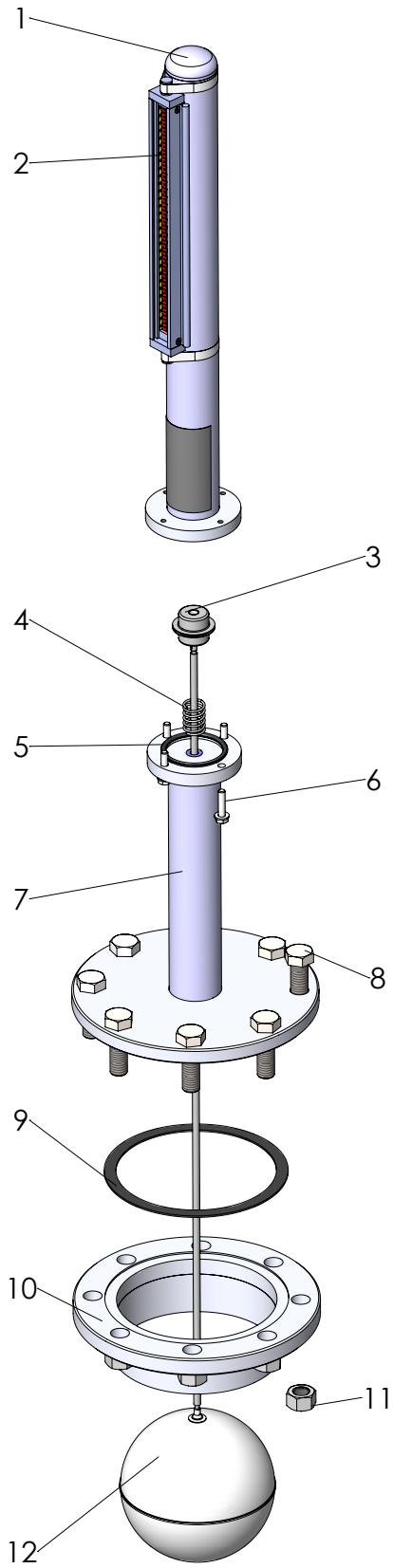


MG-33 MAGNETIC LEVEL GAUGE TOP MOUNTED



| No | Part Name | Material List |
|----|---------------------------|----------------|
| 1 | Cap | AISI 304 |
| 2 | Support | Aluminium Cast |
| 3 | Magnet Cap | AISI 304 |
| 4 | Magnet Interconnect Comp. | DKP |
| 5 | Magnet | |
| 6 | Float Capsule | AISI 316 |
| 7 | Ring | |
| 8 | Pin | AISI 304 |
| 9 | Float Carry Tube | AISI 304 |
| 10 | Clips | AISI 304 |
| 11 | Level Tube | AISI 304 |
| 12 | Float Spring | AISI 302 |
| 13 | Drain Flange | AISI 304 |
| 14 | O-ring | Silicon |
| 15 | Lock Screw | AISI 304 |
| 16 | Drain Flange | AISI 304 |
| 17 | Spring Washer | AISI 304 |
| 18 | Blind Gasket | Copper |
| 19 | Blind | AISI 304 |
| 20 | Level Tube | AISI 304 |
| 21 | AKB Bolt | 8,8 |
| 22 | AKB Nut | 8 |
| 23 | Float Cap | AISI 316 L |
| 24 | Indicator Profil | Aluminium |
| 25 | Level Tube Cab | Aluminium |
| 26 | Indicator Profile Glass | Plexiglass |
| 27 | Magnet | |
| 28 | Flap (White) | Aluminium |
| 29 | Flap (Red) | Aluminium |
| 30 | Tag Plate | AISI 304 |
| 31 | Aluminium Tag | Aluminium |
| 32 | Conn. Flange2(PN16-DN150) | St 37 |
| 33 | Connection Tube | St 37 |
| 34 | Connection Flange Gasket | Klingerite |
| 35 | Connection Flange 1 | St 37 |
| 36 | Countersunk Head Screw | 5,8 |
| 37 | Silicon Hose | Silicon |

MG-33 MAGNETIC LEVEL GAUGE TOP MOUNTED

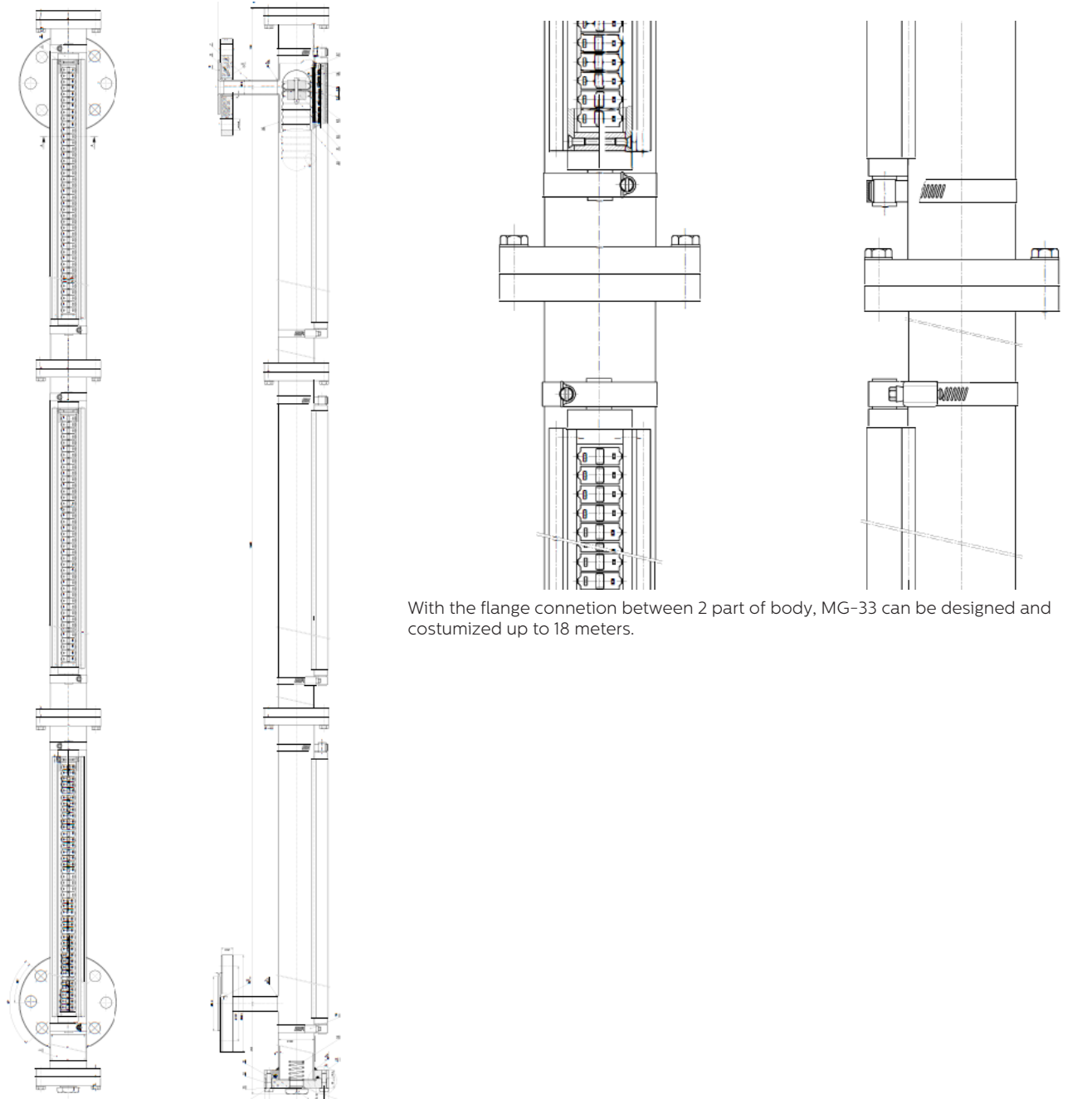


| No | Part Name | Material List |
|----|-------------------------|-------------------|
| 1 | Body | Stainless Steel |
| 2 | Flaps | Aluminium/Plastic |
| 3 | Magnetic Disc | Magnet |
| 4 | Float Spring | Spring Steel |
| 5 | O-ring | Silicon |
| 6 | Bolt | Stainless Steel |
| 7 | Interconnect Components | |
| 8 | Bolt | Stainless Steel |
| 9 | Gasket | |
| 10 | Connection Flange | |
| 11 | Nut | |
| 12 | Float | Stainless Steel |

MG-33 MAGNETIC LEVEL GAUGE



Oversize Application



With the flange connection between 2 part of body, MG-33 can be designed and customized up to 18 meters.